



DEPARTMENT OF THE ARMY
JACKSONVILLE DISTRICT CORPS OF ENGINEERS
701 SAN MARCO BOULEVARD
JACKSONVILLE, FLORIDA 32207-0019

REPLY TO
ATTENTION OF

Planning and Policy Division
Environmental Branch

MAY 03 2019

Ms. Maria del C. Gordillo Pérez, President
Puerto Rico Planning Board
P.O. Box 41119
San Juan, Puerto Rico 00940

Dear Ms. Rodríguez:

This letter acknowledges the U.S. Army Corps of Engineers, Jacksonville District, (Corps) receipt of your April 16, 2019 letter regarding the Coastal Zone Management Act coordination for the draft Environmental Assessment for the Section 205 Flood Risk Reduction CAP Conversion project Rio Culebrinas in Aguada and Aguadilla. In that letter, the Puerto Rico Planning Board (PRPB) staff expressed concern regarding compliance of this Federal Activity with enforceable policies of the Puerto Rico Coastal Zone Management Program. The Corps reviewed the concerns raised by the PRPB and prepared the enclosed responses.

The Corps appreciates the input provided by the PRPB on this project. Any questions regarding this project should be directed to Ms. Kristen Donofrio at the letterhead address or by telephoning 904-232-2918.

Sincerely,

A handwritten signature in black ink, appearing to read "Angela E. Dunn".

Angela E. Dunn
Chief, Environmental Branch

Enclosure

**Section 205 Flood Risk Reduction Continuing Authorities Program (CAP)
Conversion Project
Rio Culebrinas in Aguada and Aguadilla, Puerto Rico**

**U.S. Army Corps of Engineers, Jacksonville District (Corps) Responses to
Puerto Rico Planning Board (PRPB) Coastal Zone Management Program
Request for Additional Information**

Puerto Rico Planning Board (PRBP) requests for additional information are listed below in italics, and the U.S. Army Corps of Engineers, Jacksonville District (Corps) response is provided below each request.

- 1. The proposed project may impact the Espinar Swamp Reserve area according to the Puerto Rico Coastal Zone Management Program (PRCZMP). This area was one of the first 26 natural areas recommended by the PRCZMP to be officially designated as a Natural Reserve. According to information provided by the Department of Natural and Environmental Resources (DNER), this is the only swamp and estuary with a healthy mangrove population in the north-east coast of Puerto Rico. Actually, the Puerto Rico Planning Board (JP) in coordination with the DNER, the Sea Grant Program and the non-governmental organization named "Ciudadanos Aguadefios Pro Conservacion del Ambiente", is working with the legal designation of around 56 acres of these lands as a Natural Reserve. As part of this process, the PRPB is scheduling a public hearing to be held on May 31, 2019. Therefore, the environmental impact analysis for the proposed flood control project must include impacts on these lands. The proposed flood control project must be consistent with the state PRCZMP policies related to the conservation of these important swamp areas. The delimitation of the proposed natural reserve is provided as enclosures number 1 and 2.*

The Corps appreciates PRPB notifying us of this proposed designation. The environmental assessment (EA) will be updated to acknowledge the information provided by PRPB. Analysis of effects on the existing wetlands is included in the EA. The Corps intends to complete mitigation for impacts to wetlands; however, due to the current cost and schedule constraints of this project's process, the Corps is unable to define the details of the mitigation plan at this time. The mitigation plan will be developed during the project's preconstruction engineering and design (PED) phase. The final location, size, and configuration of the wetland mitigation areas are subject to change based on additional investigations on the elevation and character of material to be excavated as well as socio-economic considerations. Should the proposed designation become final, the Corps will work with DNER to address any additional efforts that may be required.

- 2. There is a public park area (Parque de Colon) and two baseball fields located within or adjacent to the project area. Possible temporary or permanent impacts to these public recreation areas must be considered and addressed.*

The draft EA will be updated to include mention of the public park and baseball fields as well discussion on potential effects. These features are located adjacent to the project area. No effect is anticipated.

3. *The proposed Project must comply with Article 4B(3) of the Puerto Rico Environmental Policy Law. According to this law, before a proposing agency reaches a final decision regarding a proposed action or project, it shall comply with the Puerto Rico state process of environmental planning by issuing an environmental document, either establishing that the actions involved will have or not an environmental impact. According to applicable state procedures, the corresponding environmental document must be submitted electronically at the PR Permit Management Office (OGPe) through ogpe.pr.gov. Projects that require compliance with the NEPA requirements and procedure can use the same environmental document to obtain the state compliance. In order to expedite this, we recommend the USACE to coordinate with OGPe. The contact person for this purpose is:*

*Jaime Green, Director
Environmental Compliance Division
PR Permit Management Office
Phone: 787-721-8282 ext. 16368
Email: jaimegreen@ogpe.pr.gov*

The Corps submitted a letter dated February 19, 2019 to the Secretary of DNER requesting an alternative method for the submittal of federal civil works projects to the 4B(3) review process. The Corps is continuing to coordinate with DNER to comply with the 4B(3) rule.

4. *The location of the proposed drainage channels are not shown in the provided maps and drawings. The drawings for the proposed project must include all the features to be constructed as part of the project.*

The Corps has provided additional drawings with this letter enclosure. Please see Attachment 1. Detailed design engineering drawings will be developed in the project's PED phase. Typical drawings showing individual features to be included in the design are included in Attachment 1.

5. *The participation and involvement of the Aguada and Aguadilla Municipal Governments, residents, landowners and other affected parties is very important for this project. Inform about coordination efforts, communications and agreements established with stakeholders, and provide available contacts including postal and e-mail addresses. A public notice in spanish with a summary of the proposed project and drawings must be provided to these stakeholders as minimum. The Puerto Rico Planning Board is in the best disposition to collaborate with the USACE in order to facilitate the best means for public involvement and participation.*

The Corps hosted an open house for the project in Aguadilla on November 6, 2018. During this event, Corps representatives explained the project's current status, purpose, and need as well as answered questions from attendees, which included local government officials, staff from federal and commonwealth environmental agencies, non-governmental personnel, residents, and interested community members. In addition to continuous engagement between the Corps and the local sponsor, the 2019 draft EA was release for agency and public review and comment from February 19, 2019 through April 20, 2019. A Notice of Availability for the Proposed Finding of No Significant Impact, draft EA, and associated appendices was mailed to pertinent agencies and interested stakeholders. The list of recipients included: National Oceanic and Atmospheric Administration-National Marine Fisheries Service, USACE, U.S. Department of Agriculture, U.S. Environmental Protection Agency, U.S. Fish and Wildlife Service, Tablonal Community Sponsor (Aguadilla), Espinar Community Sponsor (Aguada), Aguadilla and Aguada mayor's offices, DNER, Puerto Rico Office of General Permits Management, Puerto Rican Culture Institute, Puerto Rico Economic Development Department, Puerto Rico Environmental Quality Board, Puerto Rico Fire Department, Puerto Rico Health Department, Puerto Rico National Guard, Puerto Rico Permits Management Agency, Puerto Rico Planning Board, Puerto Rico Public Service Commission, Puerto Rico Housing Department, Puerto Rico State Historic Preservation Office, Puerto Rico Society of Natural History, Universidad Metropolitana, University of Puerto Rico, and the Initiative for Sustainable Development. A copy of the comments received during the agency review and public comment period, as well as a summary matrix of the comments and Corps' responses, will be included in the final EA.

6. *According to the provided Environmental Assessment document, the USACE is considering and makes reference to the same alternatives evaluated in the 2004 EA (June, 2004). We have made several attempts to access this document through the provided link, but it is not available. In order to complete the required evaluation about consistency of the proposed flood control project, the 2004 EA (June, 2004) must be available for agencies and public review.*

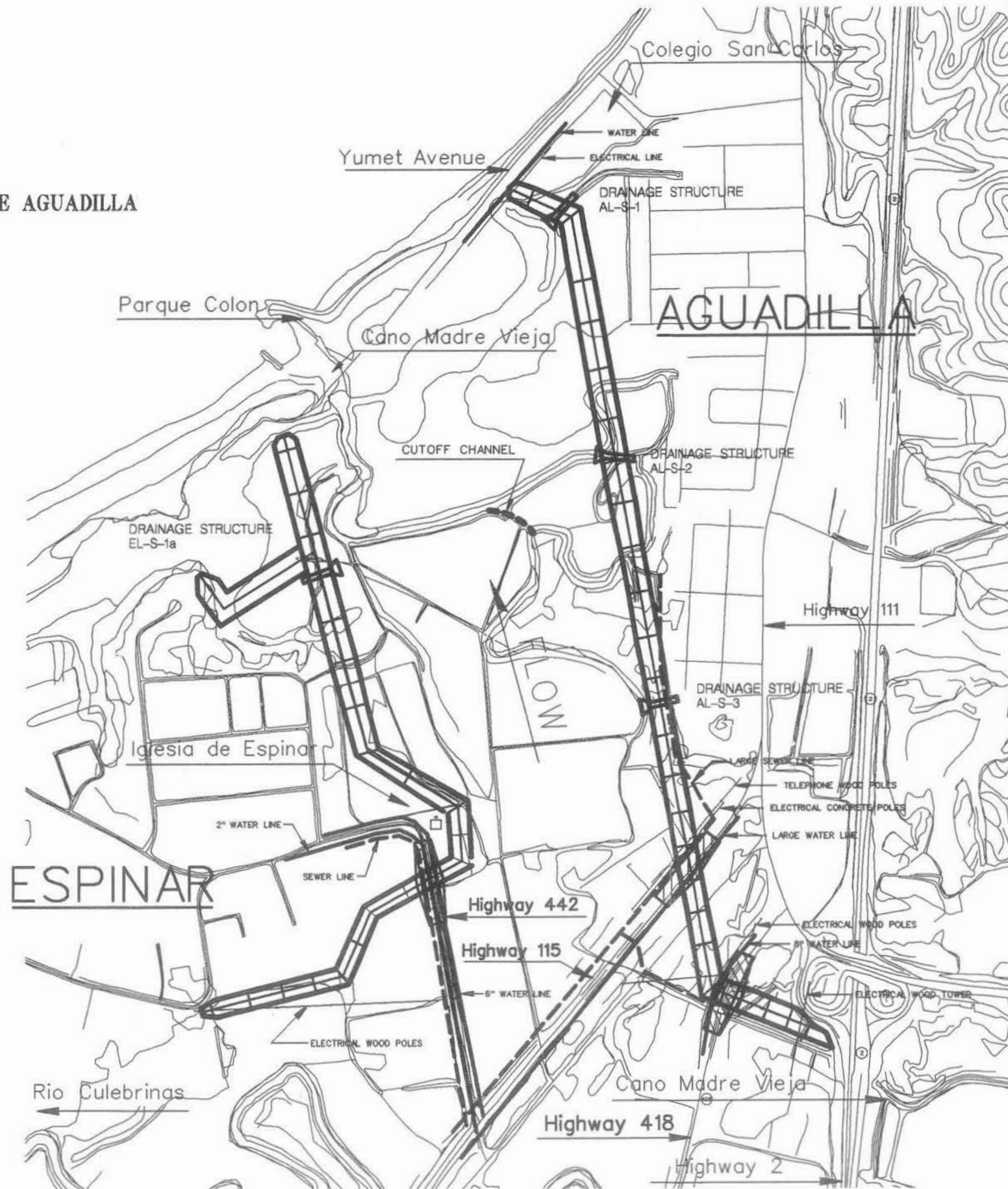
The 2004 EA can be accessed at the following website:

<http://www.saj.usace.army.mil/About/Division-Offices/Planning/Environmental-Branh/Environmental-Documents/>

Users must click the + next to Puerto Rico and scroll to the project, which is currently located at the bottom of the table (titled "Rio Culebrinas, Aguada and Aguadilla, Puerto Rico Feasibility Study"). The 2004 EA can be downloaded by clicking the link titled "Draft Appendix E-4".

ATTACHMENT 1
Section 205 Flood Risk Reduction Continuing Authorities Program (CAP)
Conversion Project
Rio Culebrinas in Aguada and Aguadilla, Puerto Rico

BAHIA DE AGUADILLA



CMP DRAINAGE STRUCTURES

ROAD RAMP ACROSS LEVEE



RIO CULEBRINAS @ AGUADA /AGUADILLA, PUERTO RICO
DETAILED PROJECT REPORT

PROJECT PLAN

ROAD RAMPS / UTILITIES RELOCATIONS

DEPARTMENT OF THE ARMY
JACKSONVILLE DISTRICT, CORPS OF ENGINEERS
JACKSONVILLE, FLORIDA

NOT TO SCALE

DATE: NOVEMBER 1999

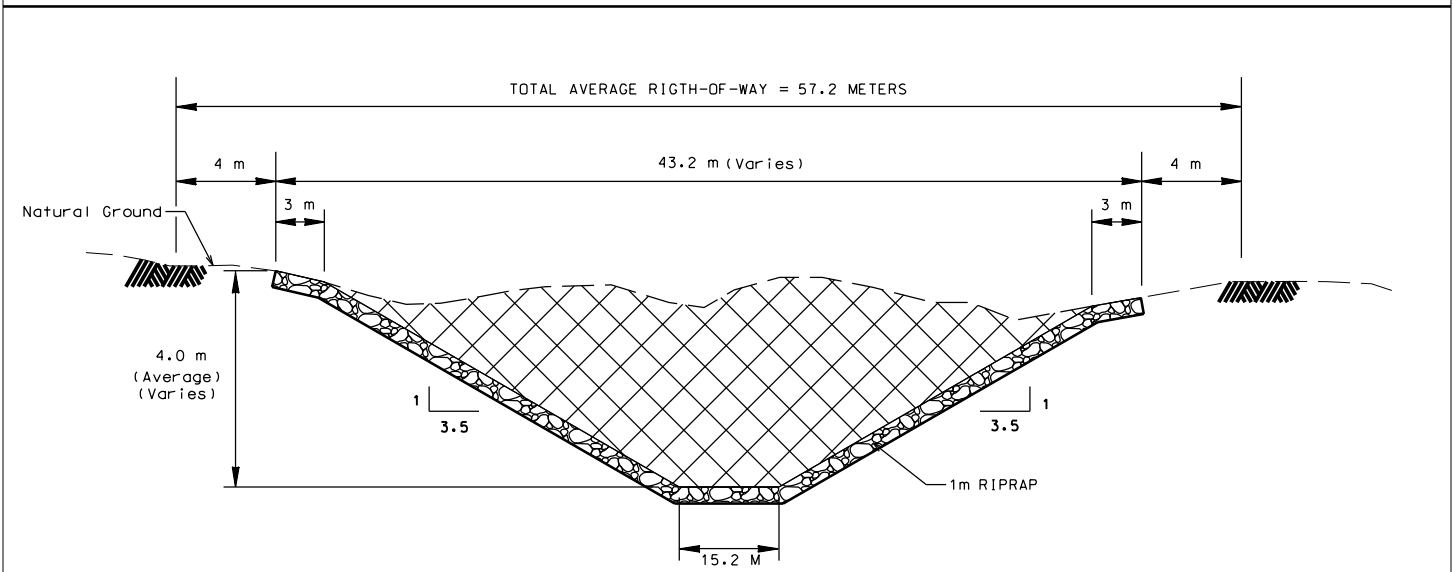
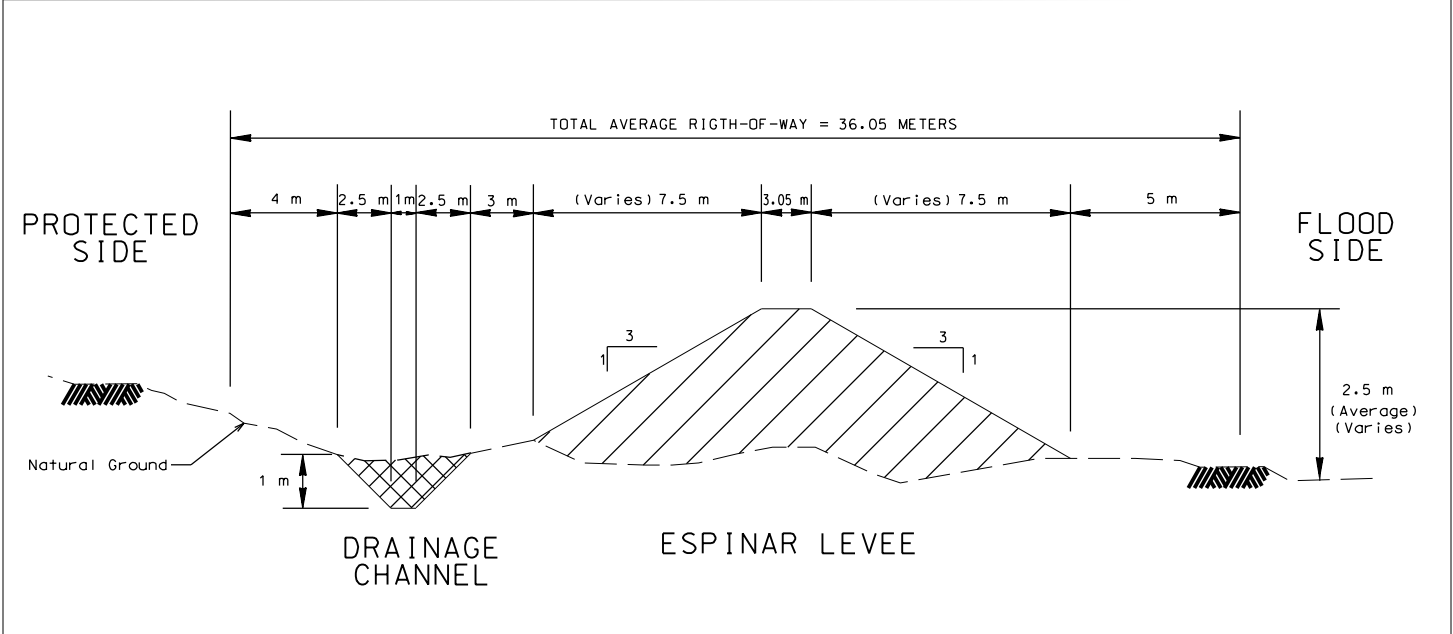
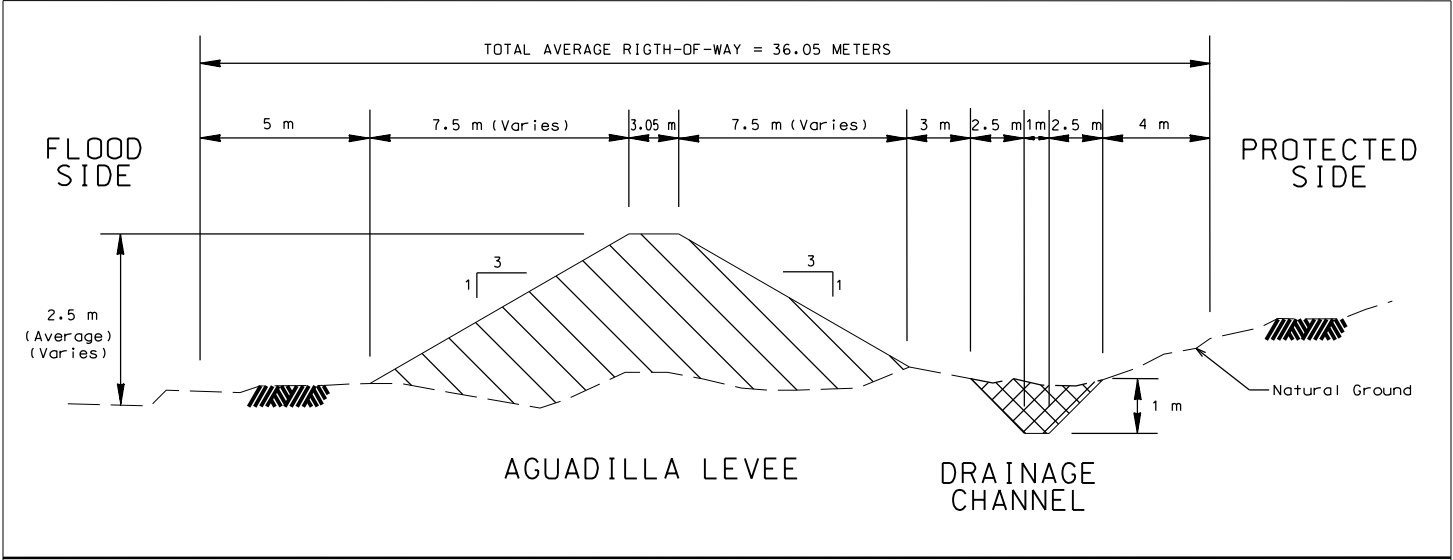
C:\des\culbrnas\utility.dgn

DESIGN ENG.:
REH

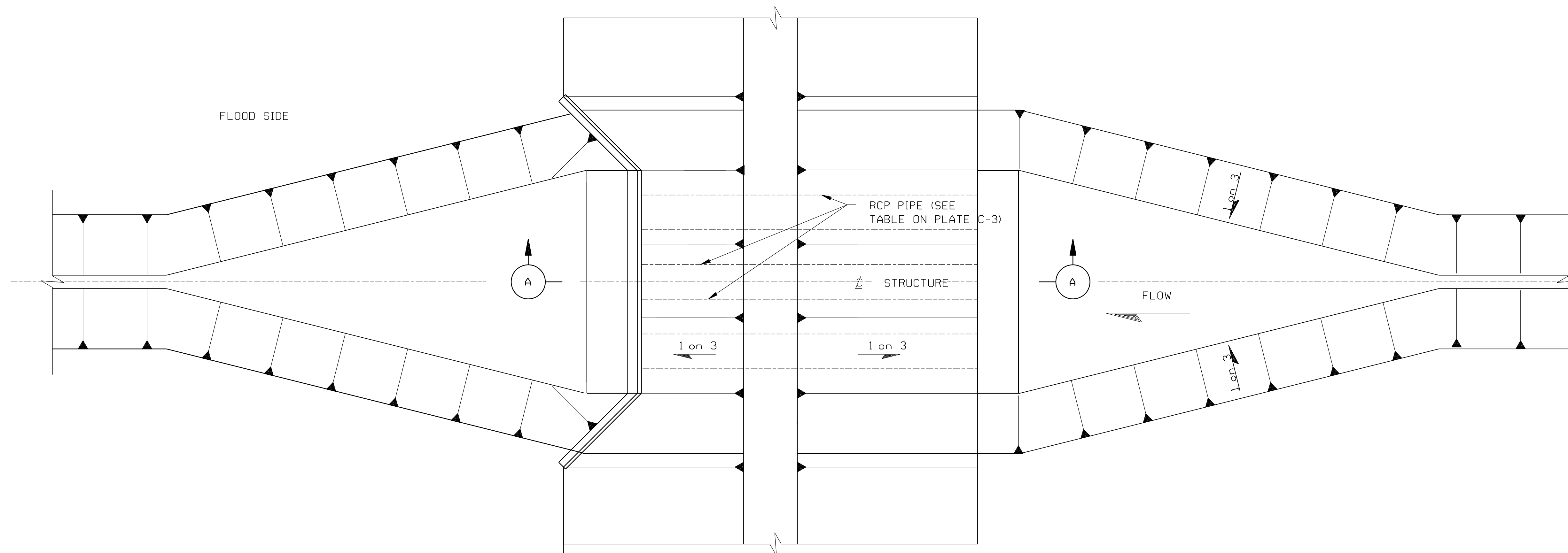
DWN. BY: REH
CKD. BY:

(REVISED: MARCH 2001)

PLATE C-1



DEPARTMENT OF THE ARMY JACKSONVILLE DISTRICT, CORPS OF ENGINEERS JACKSONVILLE, FLORIDA		
DETAILED PROJECT REPORT RIO CULEBRINAS AGUADA\AGUADILLA, PUERTO RICO		
TYPICAL CROSS SECTIONS		
INV. NO.	SIZE	DRAWING NO.
DATED:		FIGURE 9
SCALE: NTS	DATED: 03-25-02	SHEET 1 OF 1



SITE PLAN

RIO CULEBRINAS @ AGUADA /AGUADILLA, PUERTO RICO
 DETAILED PROJECT REPORT

**AQUADILLIA
 CONTROL STRUCTURES**

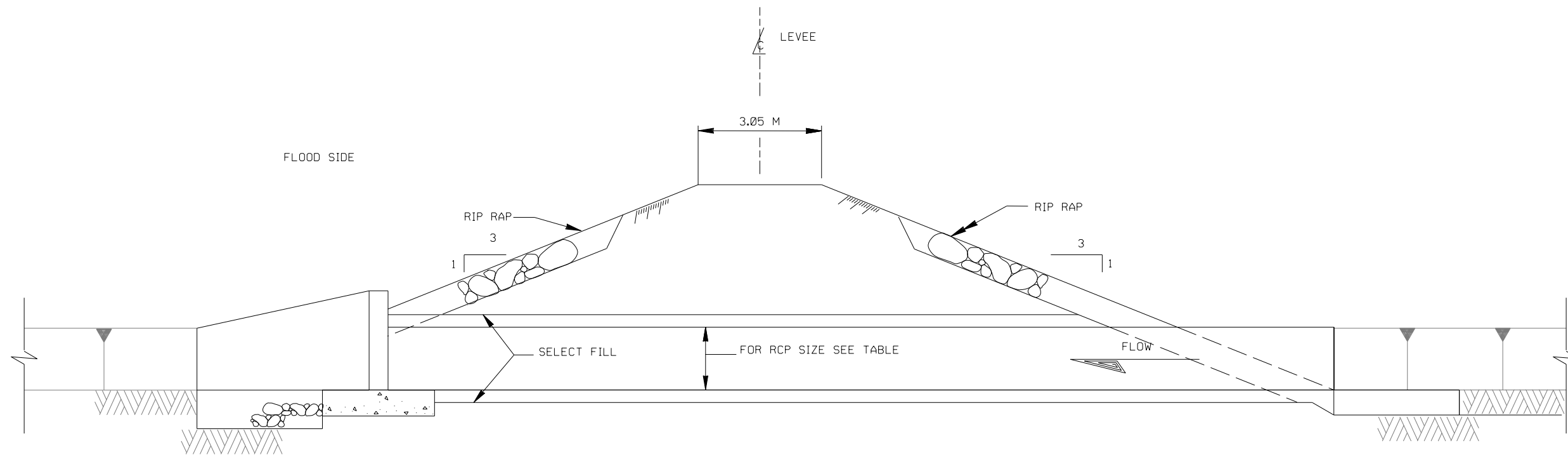
SITE PLAN

DEPARTMENT OF THE ARMY
 JACKSONVILLE DISTRICT, CORPS OF ENGINEERS
 JACKSONVILLE, FLORIDA

DESIGN ENG.:
 J.D.H.

DWN BY: D.W.P. CKD BY:

NOT TO SCALE



SECTION A-A

STRUCTURE	LEVEE STATION	NO RCP	RCP SIZE (METERS)	RCP SIZE (INCHES)	GATE TYPE	CHANNEL EL. (METERS)	CULVERT INVERT (METERS)	TOP OF LEVEE (METERS)	TOTAL LENGTH OF PIPE (METERS)
AL-S-1	1+39.5	3	1.524	60	FLAP	-0.3	-0.3	3.67	96.7
AL-S-2	6+05.5	6	1.524	60	FLAP	-0.3	-0.3	4.37	223.7
AL-S-3	10+52.9	3	1.524	60	FLAP	-0.3	-0.3	4.68	118.5
EL-S-1A	2+50.0	2	1.524	60	FLAP	-0.3	-0.3	4.40	75.0

NOTE:
HEADWALL DISTANCE DOES NOT
INCLUDE WINGWALL DISTANCE

DESIGN ENG.:	
J.D.H.	
DWN BY:	CKD BY:
J.D.H.	

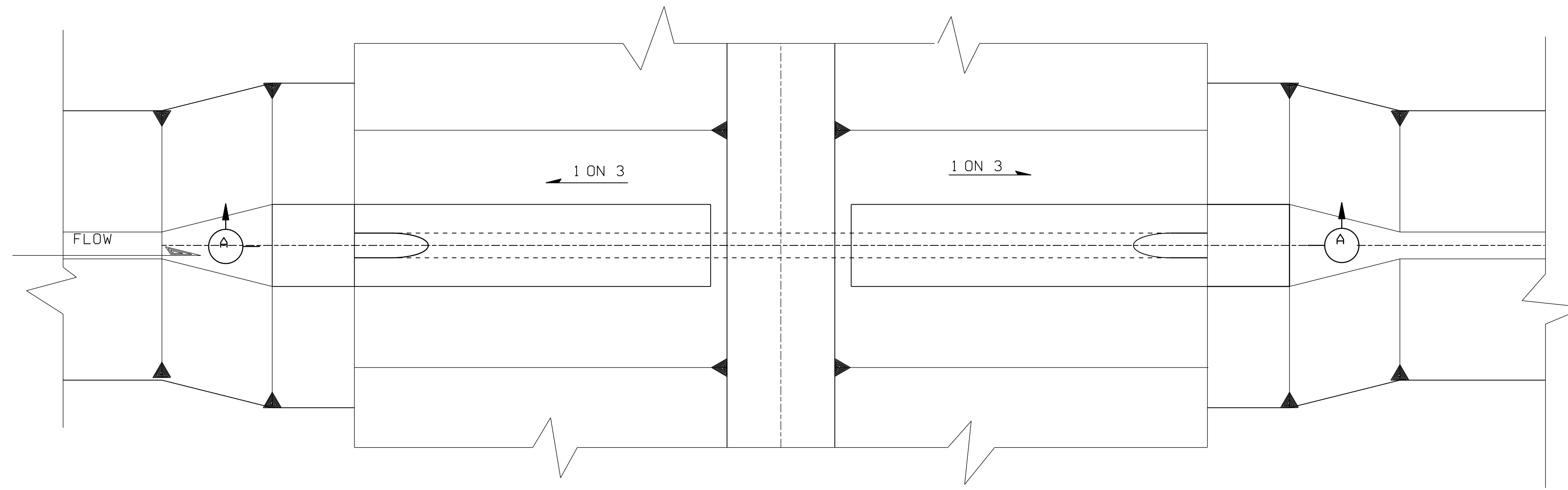
RIO CULEBRINAS @ AGUADA /AGUADILLA, PUERTO RICO
DETAILED PROJECT REPORT

AGUADILLA /ESPINAR
CONTROL STRUCTURE

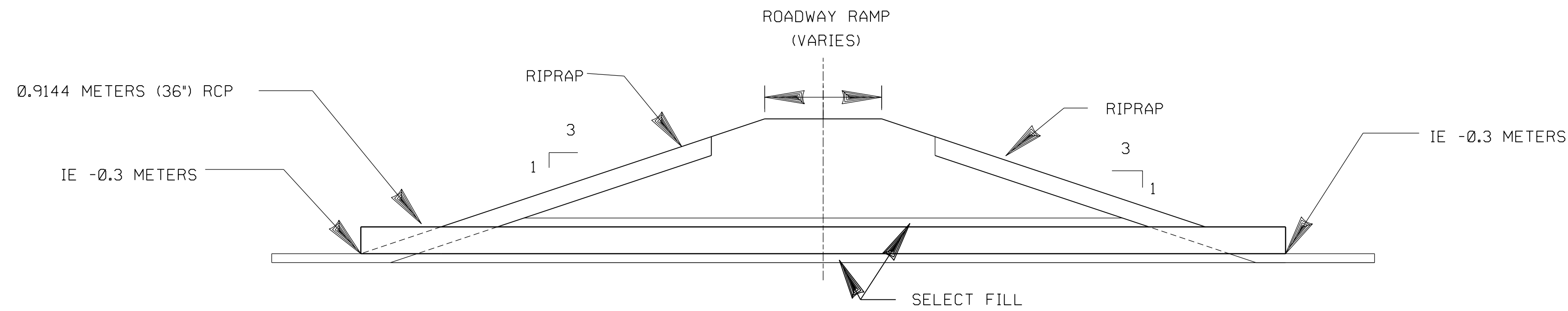
TYPICAL SECTION

DEPARTMENT OF THE ARMY
JACKSONVILLE DISTRICT, CORPS OF ENGINEERS
JACKSONVILLE, FLORIDA

NOT TO SCALE



TYPICAL 0.91 METER (36") RCP CULVERT PLAN



SECTION

RIO CULEBRINAS @ AGUADA /AGUADILLA, PUERTO RICO
 DETAILED PROJECT REPORT

**TYPICAL 0.91 METER (36") RCP
 CULVERT STRUCTURE
 SITE PLAN AND SECTION**

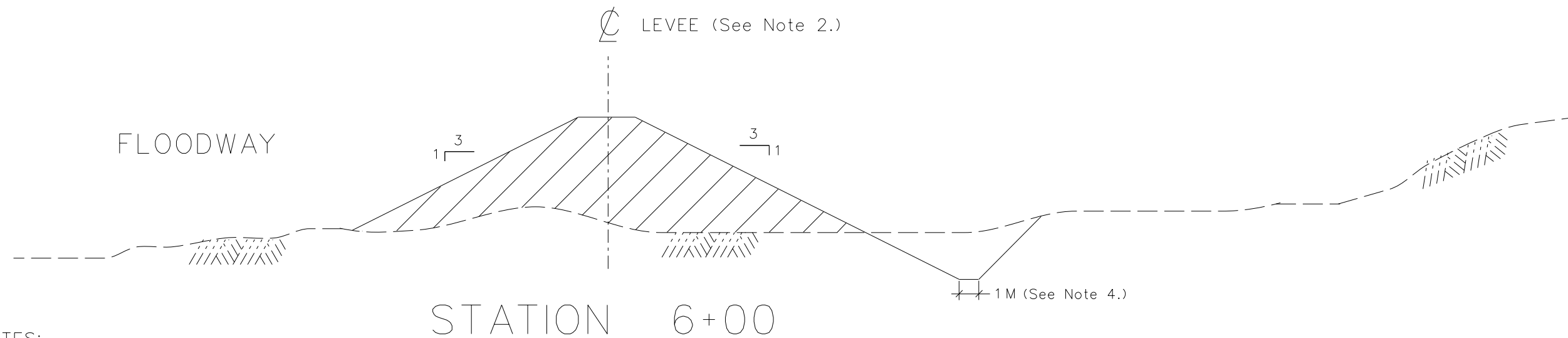
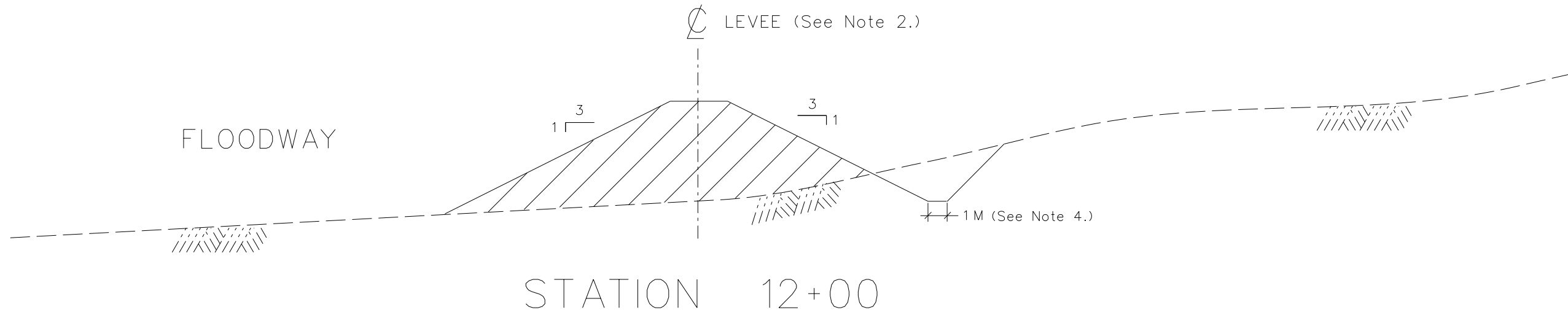
DEPARTMENT OF THE ARMY
 JACKSONVILLE DISTRICT, CORPS OF ENGINEERS
 JACKSONVILLE, FLORIDA

NOT TO SCALE

DESIGN ENG.:	
J.D.H.	
DWN BY:	CKD BY:

WEST

EAST



NOTES:

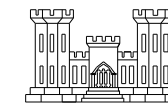
1. DRAINAGE STRUCTURES WOULD BE PROVIDED THROUGH THE LEVEES AT APPROXIMATELY AS FOLLOWS:

- AL-S-1 AT STATION 1+39.5 (3-60" CMP W/ FLAPGATES)
- AL-S-2 AT STATION 6+05.5 (6-CMP" CMP W/ FLAPGATES)
- AL-S-3 AT STATION 10+52.9 (3-60" CMP W/ FLAPGATES)

2. LEVEE CROWN WIDTH IS 3 METERS. ELEVATIONS AT STATION POINTS ALONG THE LEVEE ARE PROVIDED IN APPENDIX A.

3. ROAD RAMPS WOULD BE CONSTRUCTED AT PR HIGHWAYS 115 AND 418, AND LOW-FLOW DRAINAGE CULVERTS WOULD BE INSTALLED ON THE PROTECTED SIDE OF THE LEVEE.

4. INVERT ELEVATION VARIES. REFER TO TABLE A-9 IN APPENDIX A.



C:\des\culbrnas\typsec.dgn

DESIGN ENG.:	
REH	
DWN. BY:	CKD. BY:
REH	

RIO CULEBRINAS @ AGUADA /AGUADILLA, PUERTO RICO
DETAILED PROJECT REPORT

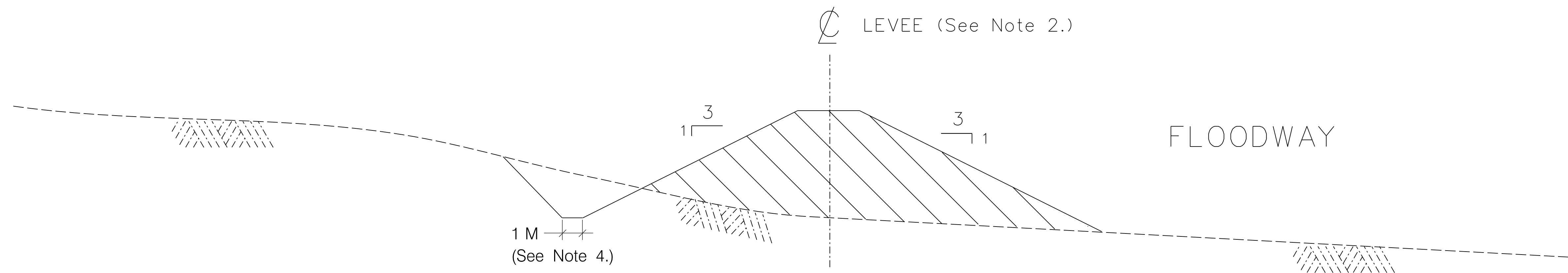
TYPICAL SECTIONS
AGUADILLA LEVEE

DEPARTMENT OF THE ARMY
JACKSONVILLE DISTRICT, CORPS OF ENGINEERS
JACKSONVILLE, FLORIDA

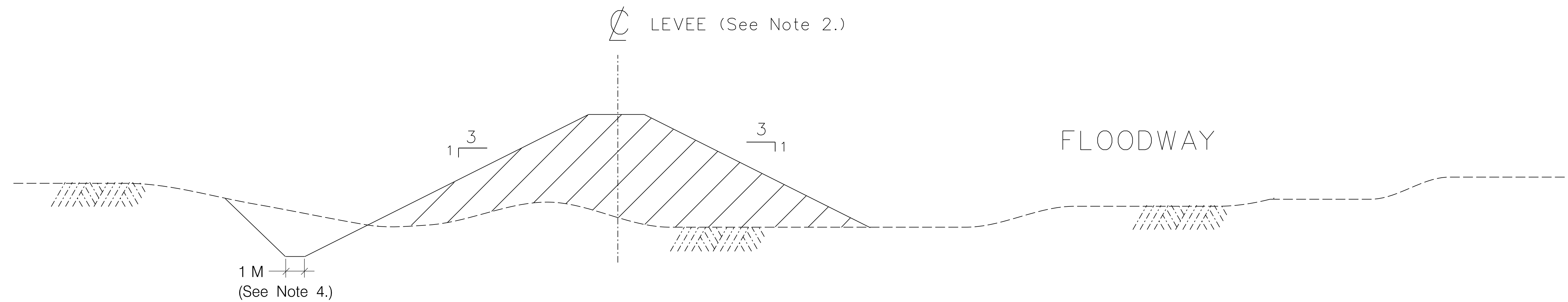
NOT TO SCALE

WEST

EAST



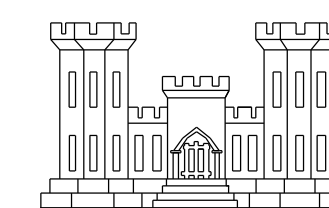
STATION 10+00



STATION 5+00

NOTES:

1. A DRAINAGE STRUCTURE EL-S-1 WOULD BE PLACED THROUGH THE LEVEE AT APPROXIMATELY STATION 1+10.8. STRUCTURE WOULD CONSIST OF 2-60" CMP WITH FLAPGATES AND 1-24" CMP WITH SLIDEGATE.
2. LEVEE CROWN WIDTH IS 3 METERS. ELEVATIONS AT STATION POINTS ALONG THE LEVEE ARE PROVIDED IN APPENDIX A.
3. A ROAD RAMP WOULD BE CONSTRUCTED AT PR HIGHWAY 442, AND A LOW-FLOW DRAINAGE CULVERT WOULD BE INSTALLED ON THE PROTECTED SIDE ON THE LEVEE.
4. INVERT ELEVATION VARIES. REFER TO TABLE A-9 IN APPENDIX A.



RIO CULEBRINAS @ AGUADA /AGUADILLA, PUERTO RICO
 DETAILED PROJECT REPORT

TYPICAL SECTIONS

ESPINAR LEVEE

DEPARTMENT OF THE ARMY
 JACKSONVILLE DISTRICT, CORPS OF ENGINEERS
 JACKSONVILLE, FLORIDA

NOT TO SCALE

DESIGN ENG.:	
REH	
DWN. BY:	CKD. BY:
REH	